

Tools Required

13mm, 16mm Socket
16mm Wrench
Ratchet
Torque Wrench

Before You Begin

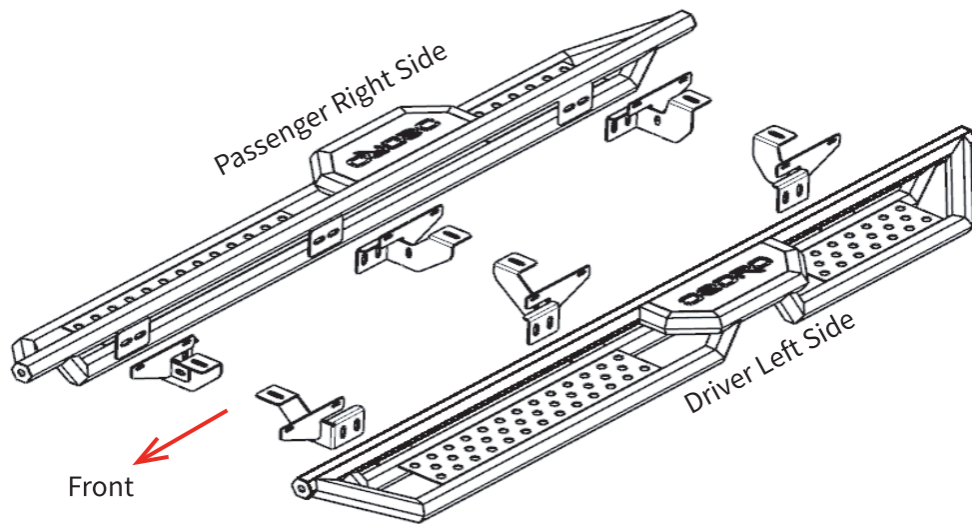
Read instructions thoroughly before installation.

Installation sequence: Mount brackets, position step bars, then tighten all

Prep Work: Clear any paint or debris from the factory studs.

Use proper tools to ensure a correct fit and save time.

Damaged or missing parts? Please take a photo and contact us for support. Professional installation would be highly recommended.



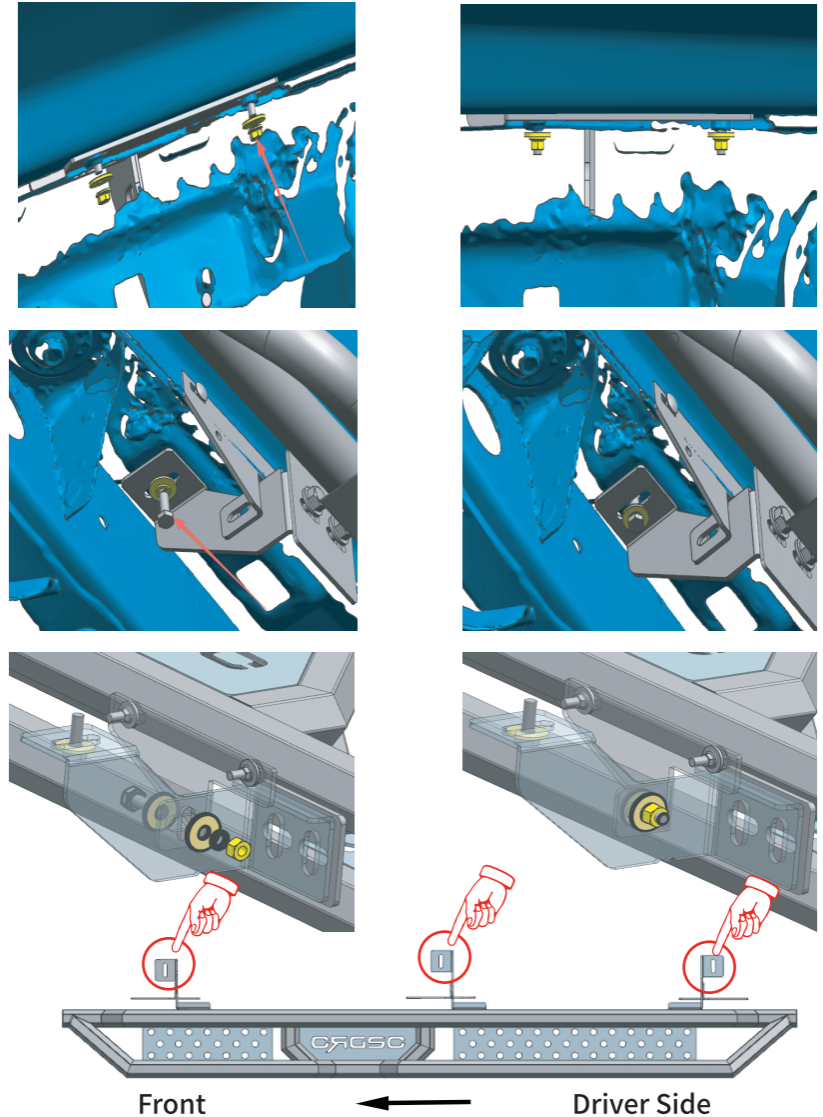
STEP 1:

1. Remove factory rock rails if equipped. 3 mounting positions each side.
2. Remove (6) M6 hex nuts on rocker panel and (3) M8 hex bolts on body frame.

STEP 2:

1. Take the proper bracket to the mounting position, secure the bracket onto pinch weld with (2) M6 carriage bolts, (2) M6 flat washers, (2) M6 hex nuts.
2. Secure the bracket to body panel with (1) M8 hex bolt, (1) M8 lock washer, (1) M8 flat washer.

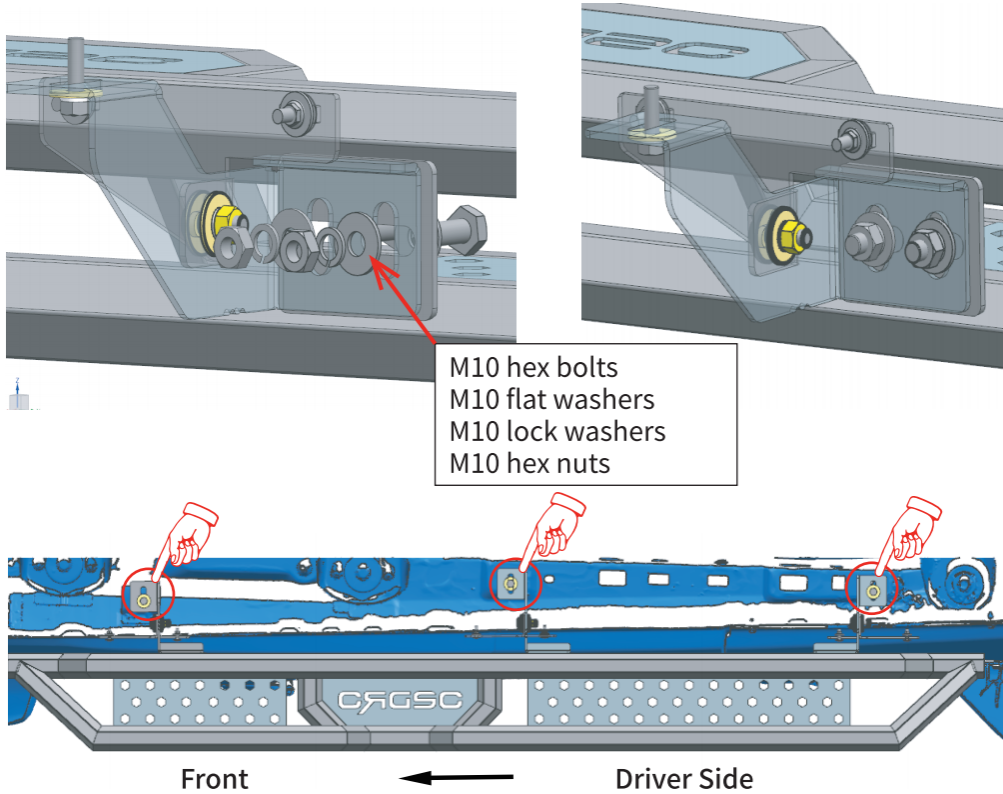
Note: Repeat to install all brackets. Do not fully tighten.



STEP 3:

1. With assistance, lift and attach the step bar to brackets.
Secure the step bar on brackets using (6) M10 hex bolts, (12) M10 flat washers, (6) M10 lockwashers, (6) M10 hex nuts.
2. Repeat to install the other side step bar.

Note: Do not fully tighten.



STEP 4:

1. Tighten M6 hex nuts on pinch weld with 7 ft-lbs. torque.
2. Tighten M8 hex bolts on body panel with 15 ft-lbs. torque.
3. Adjust the step bar to level and tighten M10 hex bolts with 30 ft-lbs. torque.
4. After the step bar installed, periodic check to ensure all mounting hardware remains secure and tight.

Part List

	Qty.	Description		Qty.	Description
①	x1	Front Driver Side Bracket	⑪	x12	M6 Hexagon Flange Nut
②	x1	Center Front Driver Side Bracket	⑫	x12	M10X30 Hexagon Bolt
③	x1	Rear Driver Side Bracket	⑬	x12	M8X25 Hexagon Bolt
④	x1	Front Passenger Side Bracket	⑭	x12	M6 Carriage Bolt
⑤	x1	Center Front Passenger Side Bracket	⑮	x24	M10X25 Flat Washer
⑥	x1	Rear Passenger Side Bracket	⑯	x18	M8X25 Flat Washer
⑦	x3	Support Bracket (L)	⑰	x12	M6X18 Flat Washer
⑧	x3	Support Bracket (R)	⑱	x12	M10 Hexagon Nut
⑨	x12	M10 Lock Washer		x 6	M8 Hexagon Nut
⑩	x12	M8 Lock Washer			

