

### Tools Required

13mm, 16mm Socket
16mm Wrench
Ratchet
Torque Wrench

## Before You Begin

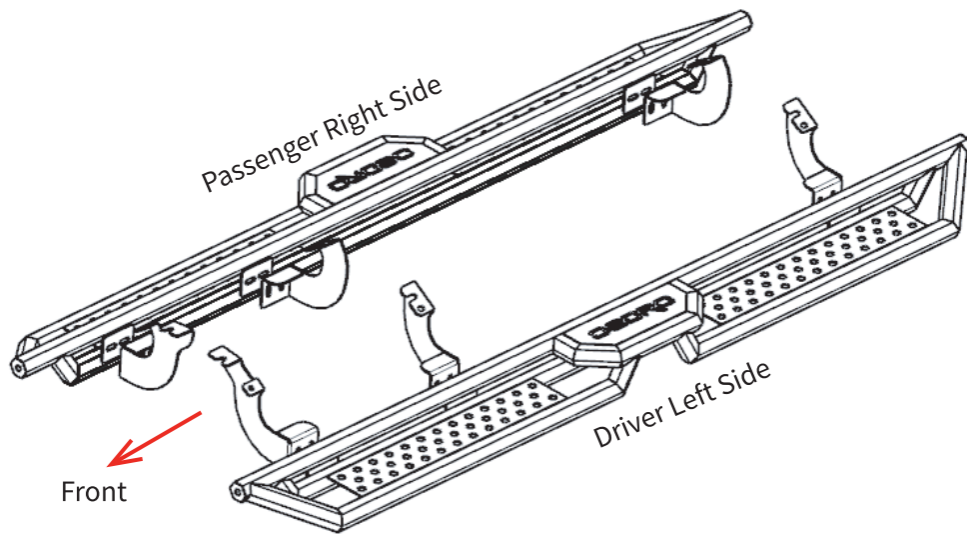
Read instructions thoroughly before installation.

**Installation sequence:** Mount brackets, position step bars, then tighten all

**Prep Work:** Clear any paint or debris from the factory studs.

**Use proper tools** to ensure a correct fit and save time.

**Damaged or missing parts?** Please take a photo and contact us for support. Professional installation would be highly recommended.



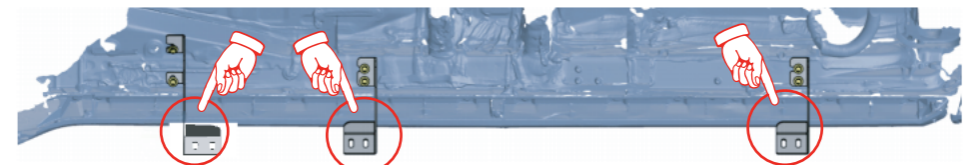
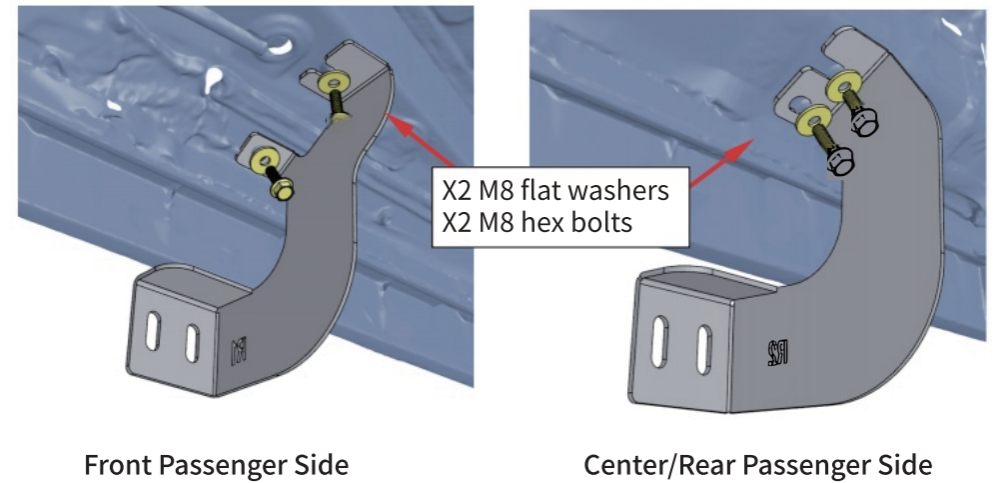
## STEP 1:

1. Locate (3) mounting positions each side.
2. Remove factory plugs or hex bolts from mounting positions.
3. Clean the sealant and dirt around mounting positions.



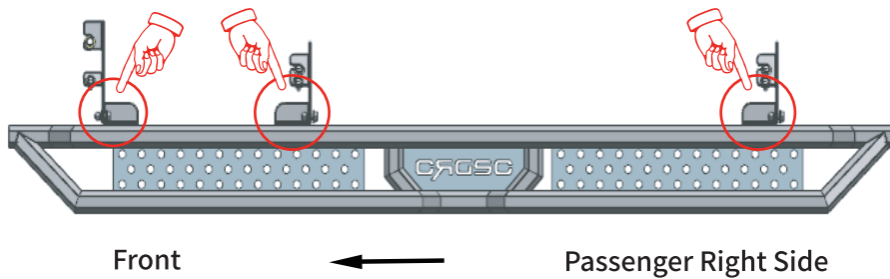
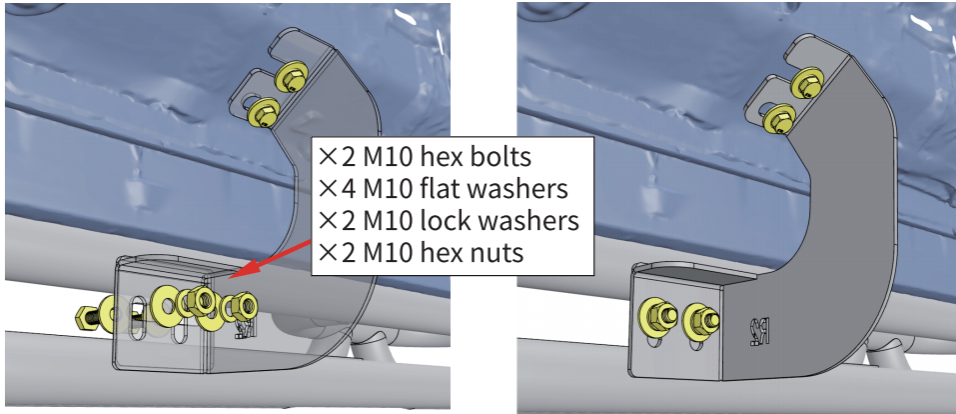
## STEP 2:

1. Attach bracket to the rocker panel and secure with (2) M8 hex bolts, (2) M8 flat washers.
2. Repeat to install all brackets. Do not fully tighten.



## STEP 3:

1. With assistance, lift and attach the step bar to brackets. Secure the step bar on brackets using (6) M10 hex bolts, (12) M10 flat washers, (6) M10 lock washers, (6) M10 hex nuts.
2. Repeat to install the other side step bar.



## STEP 4:

1. Tighten M8 hex bolts with 15 ft. lbs. torque.
2. Tighten M10 hex bolts and nuts with 31 ft. lbs. torque.
3. After the step bar installed, periodic check to ensure all mounting hardware remains secure and tight.

## Part List

Qty.	Description
① ×1	Front Driver Side Bracket (L1)
② ×2	Center/Rear Driver Side Bracket (L2)
③ ×1	Front Passenger Side Bracket (R1)
④ ×2	Center/Rear Passenger Side Bracket (R2)
⑤ ×12	M10×30 Hexagon Bolt
⑥ ×12	M8×25 Hexagon Flange Bolt
⑦ ×24	M10×25 Flat Washer
⑧ ×12	M8×24 Flat Washer
⑨ ×12	M10 Lock Washer
⑩ ×12	M10 Hexagon Nut

