

Tools Required

13mm, 16mm Socket
16mm Wrench
Ratchet
Torque Wrench

Before Installation:

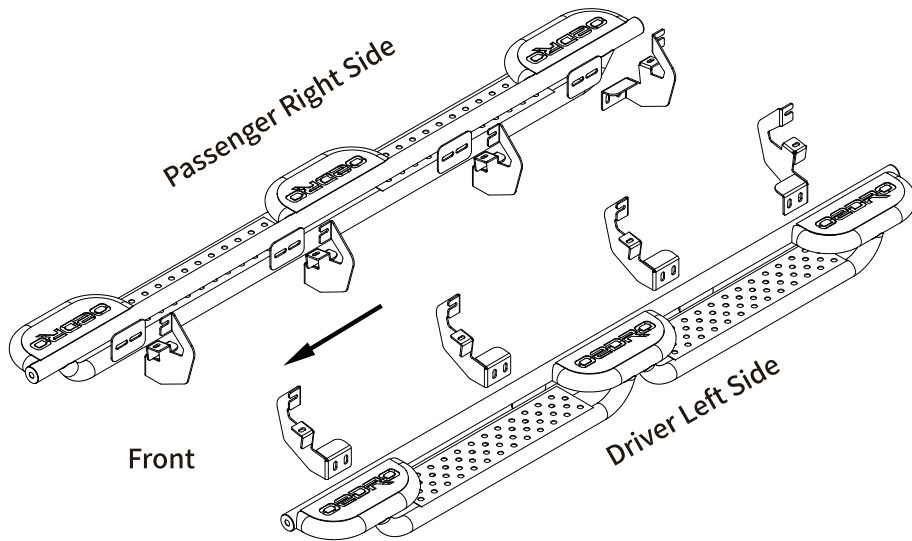
Read this instruction carefully before starting installation.

Proper tools will improve the quality of installation and reduce the time required.

If missing parts or any damage found, please take a picture and contact us.

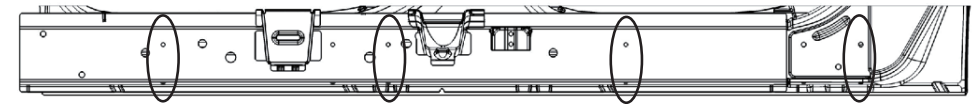
Professional installation would be highly recommended.

Periodic check to ensure all mounting hardware remains secure and tight.



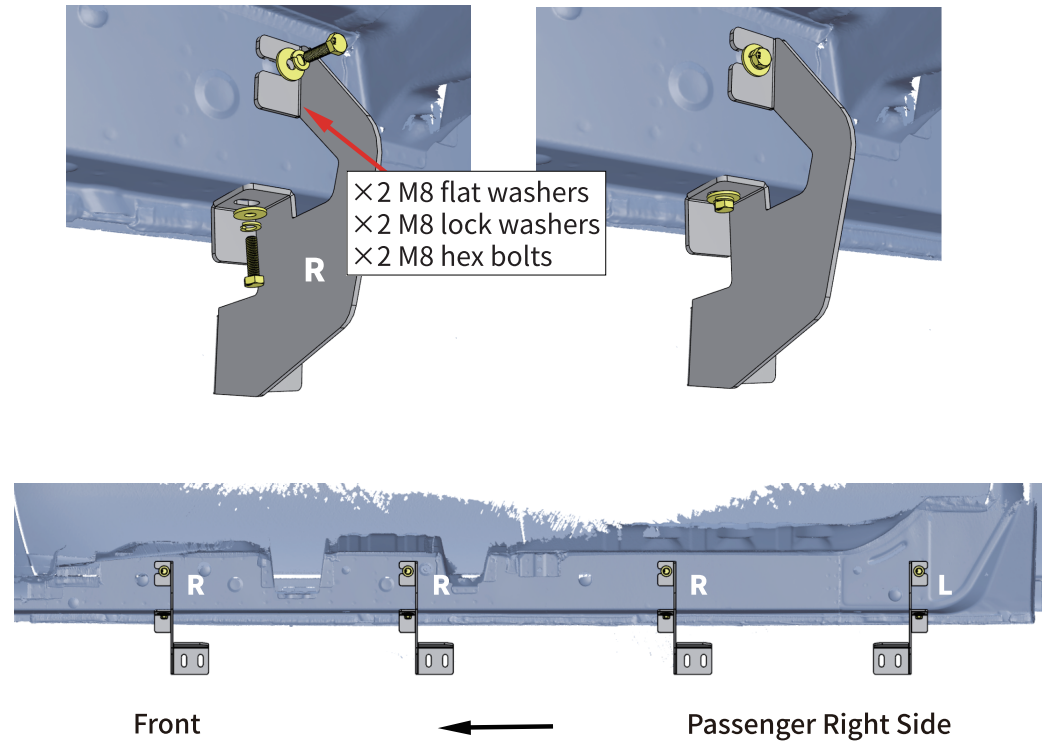
Step 1:

1. Locate (4) mounting positions each side.
2. Remove factory plugs from mounting positions.
3. Clean the sealant and dirt around mounting positions.



Step 2:

1. Attach bracket to the rocker panel and secure with (2) M8 hex bolts, (2) M8 flat washers, (2) M8 lock washers.
2. Repeat to install all brackets. Do not fully tighten.

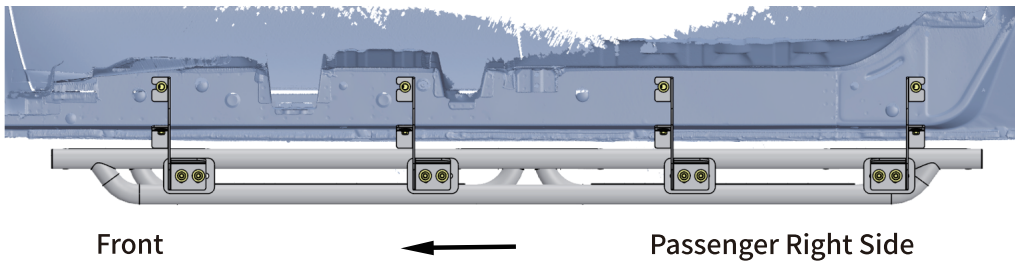
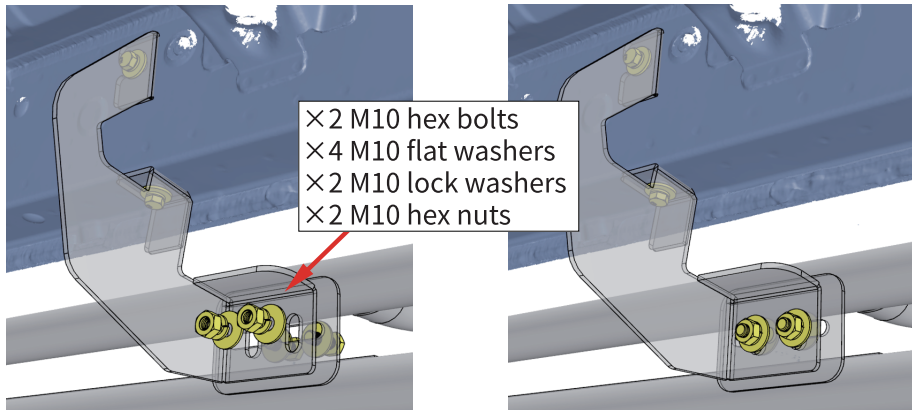


Note:

The rear bracket is in the opposite direction to the front and center brackets.

Step 3:

1. With assistance, lift and attach the step bar to brackets. Secure the step bar on brackets using (8) M10 hex bolts, (16) M10 flat washers, (8) M10 lock washers, (8) M10 hex nuts.
2. Repeat to install the other side step bar.



Step 4:

1. Tighten M8 hex bolts on vehicle with 15 ft. lbs. torque.
2. Adjust the step bar to level and tighten M8 hex bolts with 15 ft. lbs. torque.
3. After the step bar installed, periodic check to ensure all mounting hardware remains secure and tight.

Part List:

	Qty.	Description
①	× 4	Front/Center Driver Left Rear Passenger Right Side Bracket (L)
②	× 4	Front/Center Passenger Right Rear Driver Left Side Bracket (R)
③	× 16	M10×30 Hexagon Bolt
④	× 16	M8×30 Hexagon Bolt
⑤	× 32	M10×25 Flat Washer
⑥	× 16	M8×24 Flat Washer
⑦	× 16	M10 Lock Washer
⑧	× 16	M8 Lock Washer
⑨	× 16	M10 Hexagon Nut

