

For Trucks with Utility Rail:

Part List

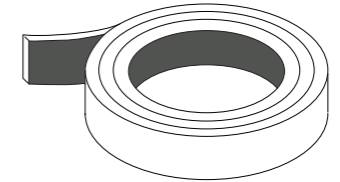
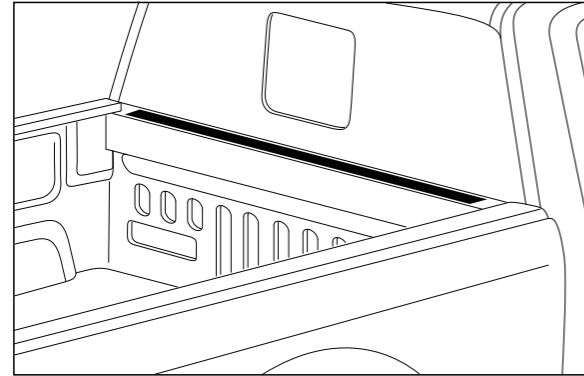
①	X1	Cover Assembly
②	X6	Clamp Foam Pad
③	X1	Seal Strip
④	X1	LED Light
⑤	X4	Mounting Block
⑥	X1	Allen Wrench
⑦	X2	Bulkhead Seal Sticker (for Tacoma ONLY)

⚠ Warning:

1. Tonneau cover must be completely secured in the closed position or opened position while driving. DO NOT DRIVE with cover in partially opened position.
2. Clean the debris before folding the tonneau cover.
3. Professional installation would be highly recommended.
4. Period check to ensure all clamps remain secure and tight.
5. Remove the tonneau cover before towing the truck from rear.
6. Do not drive without safety clamps.
7. The tonneau cover needs to be removed in extreme weather, such as typhoon, hurricane, heavy rain and hail.

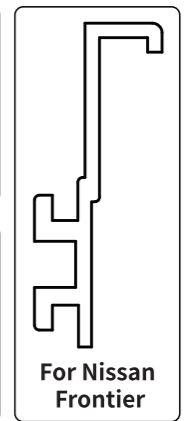
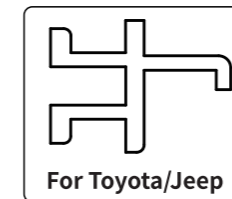
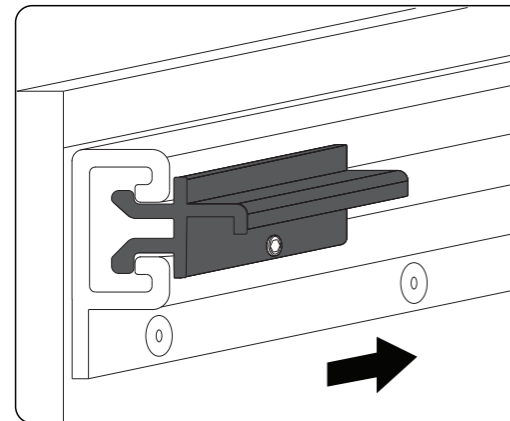
Step 1:

1. Clean the bulkhead and bedrail before installation.
2. For Tacoma truck stick the seal sticker on the bulkhead bar.
3. Stick the seal strip onto the bulkhead.



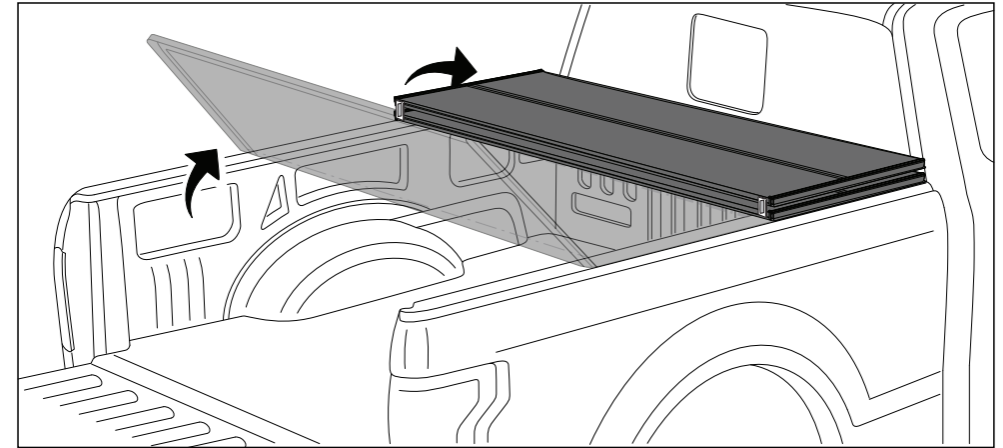
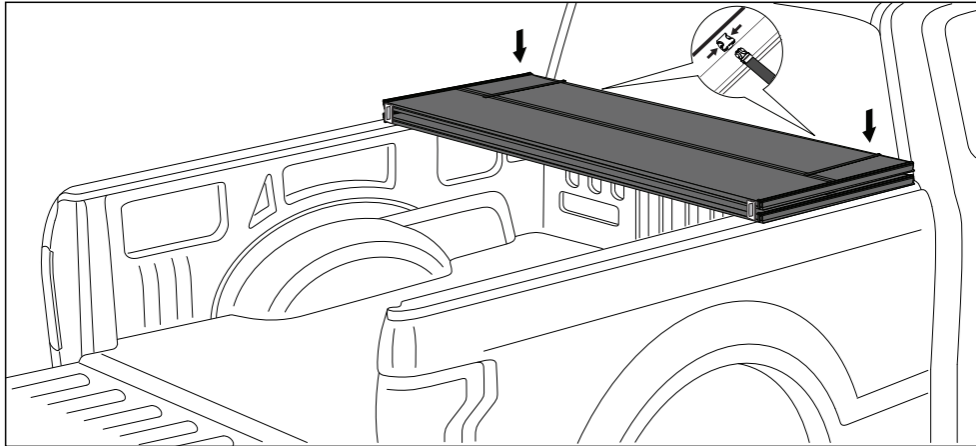
Step 2:

1. For Toyota and Nissan truck, insert the mounting blocks from the rear end of the utility rail, 2 blocks each side.
2. For Jeep trucks, insert the mounting blocks from the front end of the utility rail, 2 blocks each side.



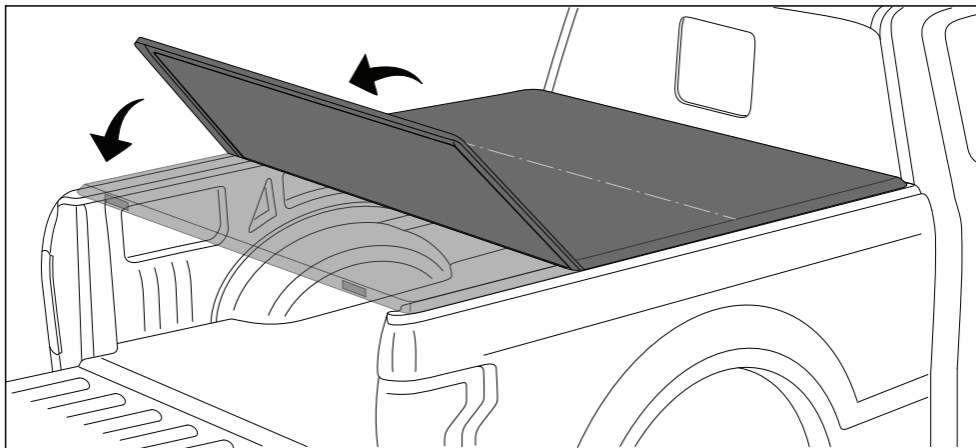
Step 3:

1. Place cover assembly on front truck bed rail against the cab.
2. Release safety buckles.



Step 4:

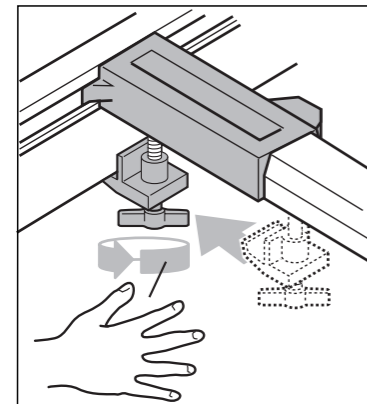
1. Fully unfold the cover towards rear. Ensure the cover aligns on truck bed.
2. Carefully refold the cover without moving position on the truck bed.

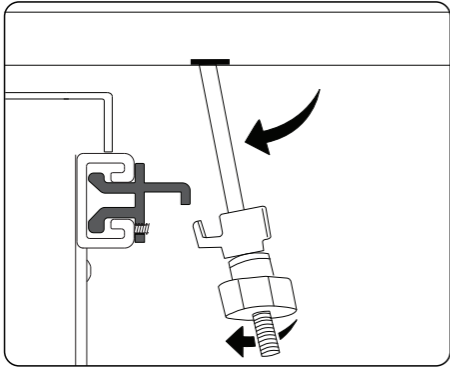


Step 5:

Secure the front clamps.

1. Slide the mounting block to proper position.
2. Pull down the front clamp to vertical position.
3. Slide front clamp close to bed rail.
4. Hook the J-shaped clamp under the mounting block and tighten the knob.
5. Tighten set screw on mounting block.

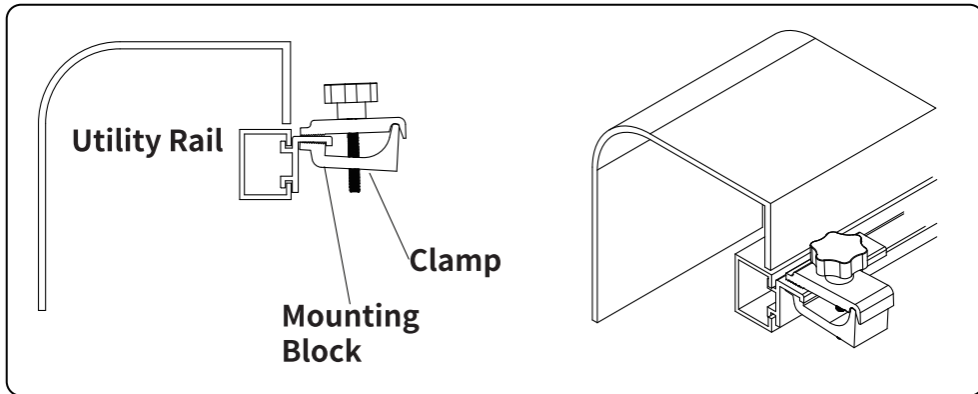




Note:
The clamps may not precisely vertical.

Step 6:

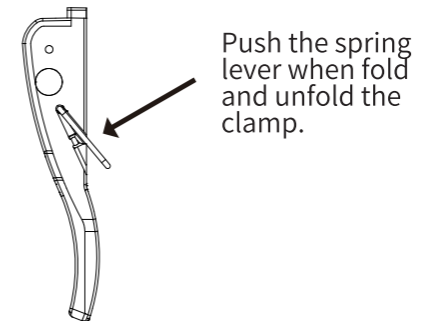
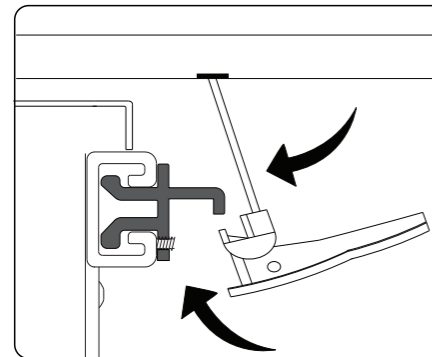
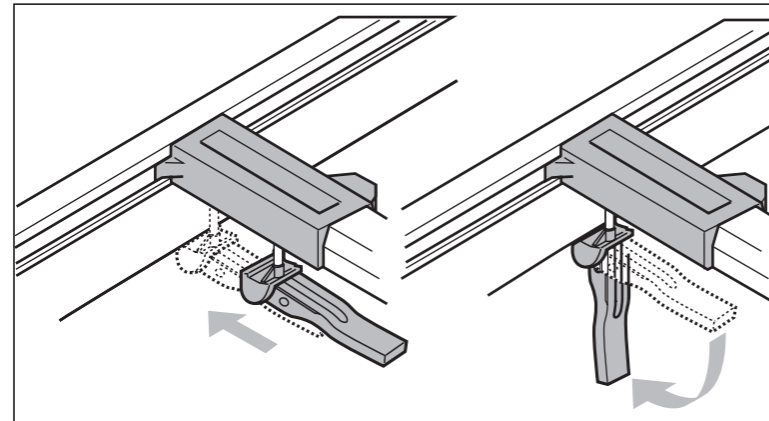
1. Loosen the safety clamp and attach to the mounting block.
2. Hand tighten the knob clockwise. DO NOT use wrench or overtighten.
3. Adjust the strap to proper length. and pull the other end of the strap to tight.



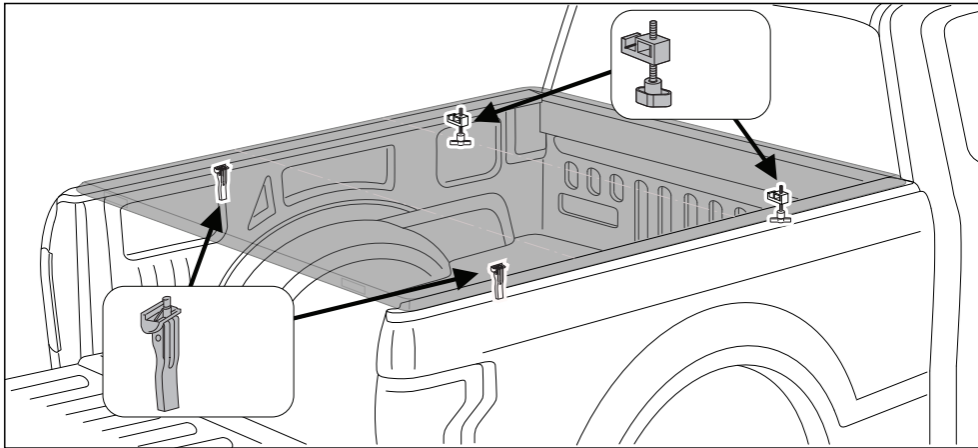
Step 7:

Carefully unfold the cover and secure the rear clamps.

1. Slide the mounting block to proper position.
2. Pull down the rear clamp to vertical position.
3. Slide rear clamp close to bed rail.
4. Hook the J-shaped clamp under the mounting block and push the clamp handle to vertical position.
5. Tighten set screw on mounting block.

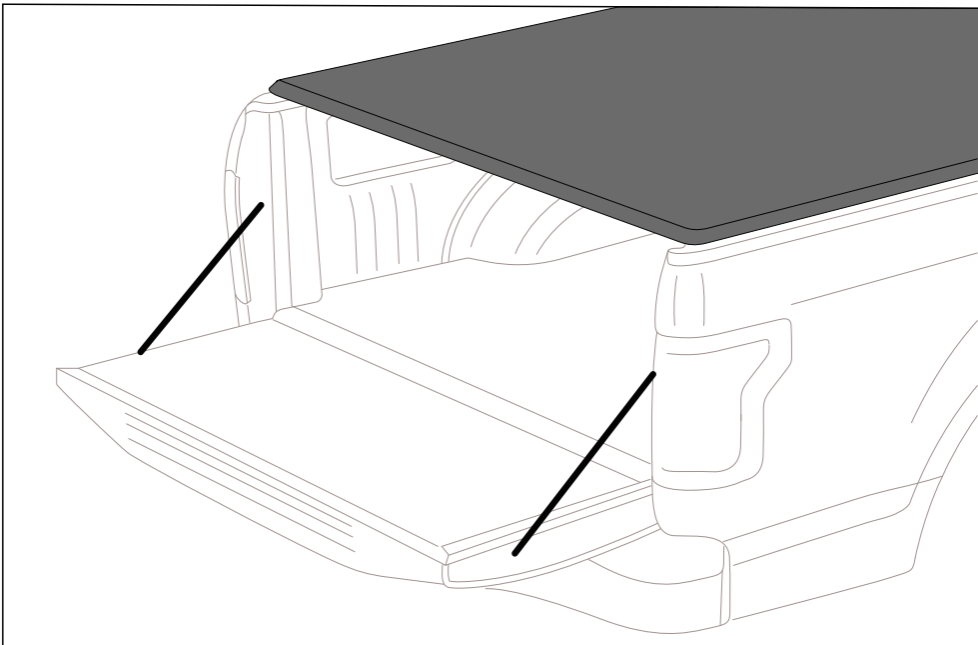


Note:
The clamps may not precisely vertical.



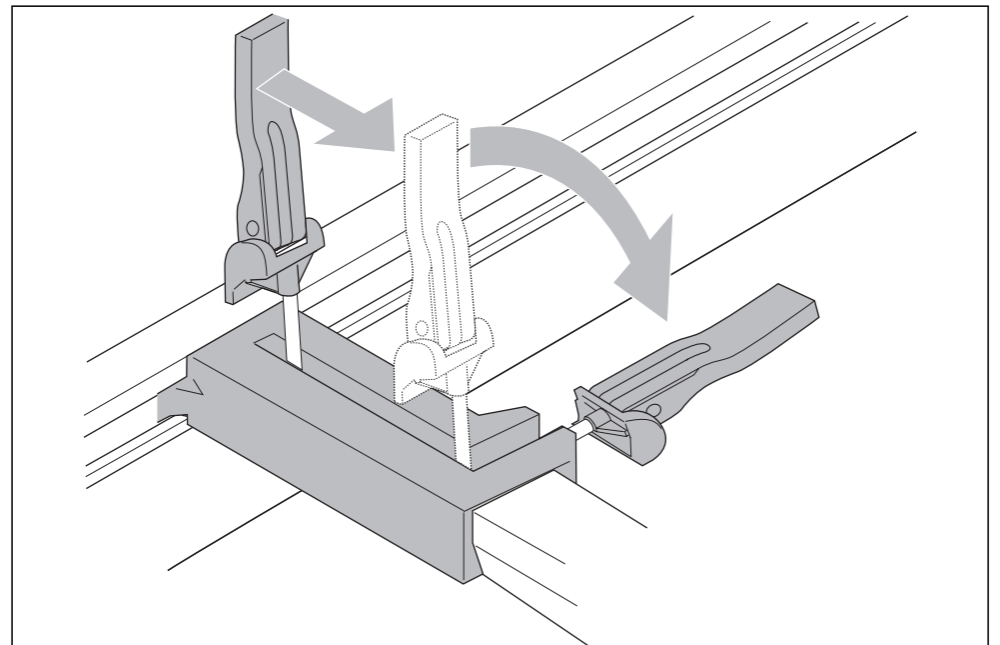
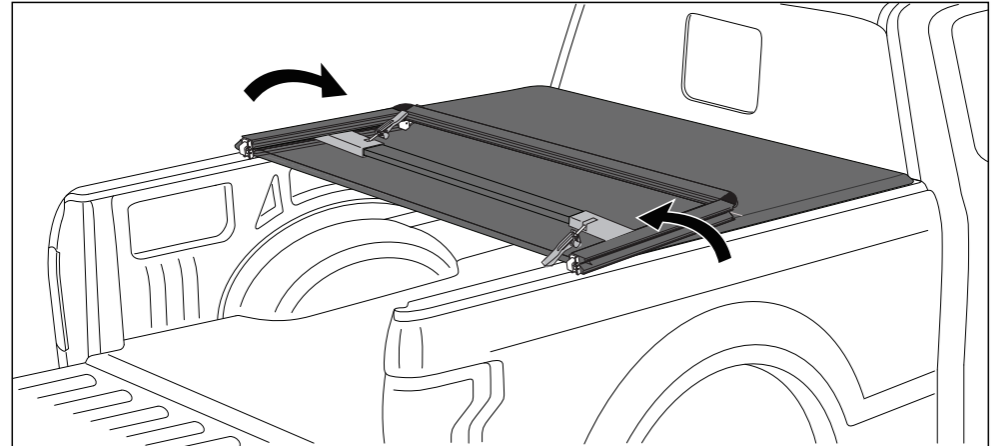
Step 8:

1. Close the tailgate. Installation completed.

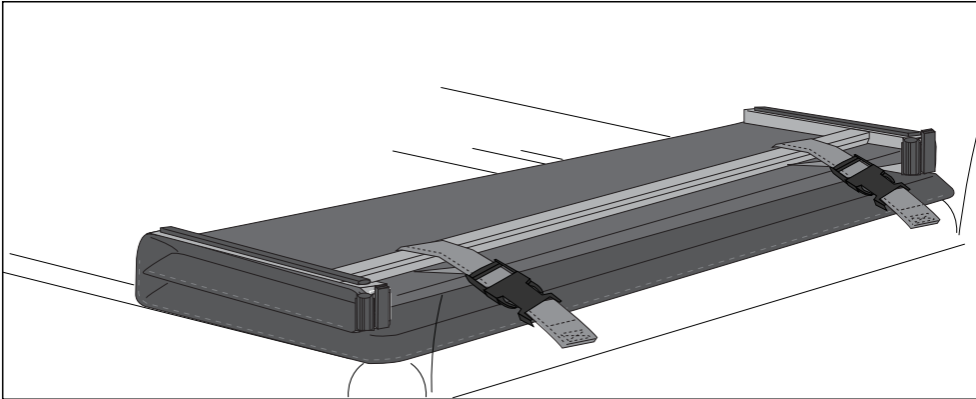
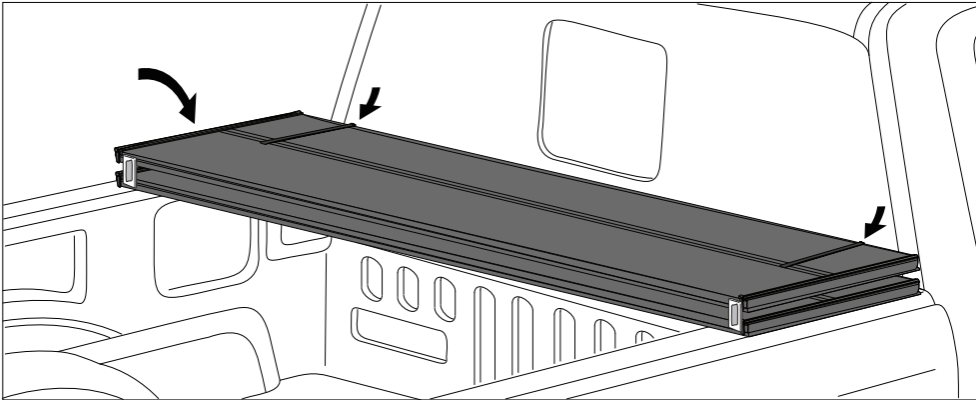


Fold up the Cover:

1. Open the tailgate.
2. Release and fold up the rear clamps.

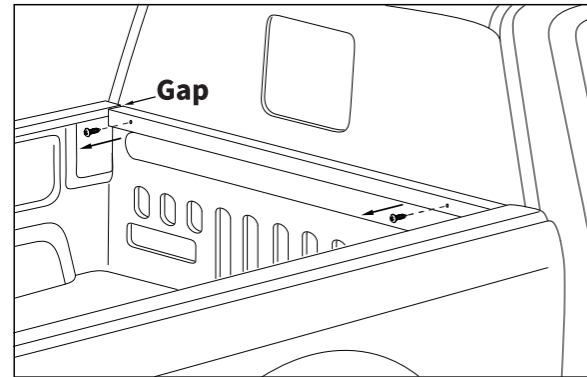


3. Fold up the cover towards front.
4. Secure the safety buckles.

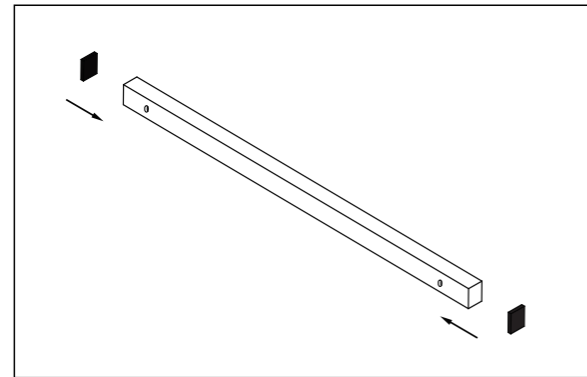


5. After the tonneau cover installed, periodic check to ensure all clamps and buckles remain secure and tight.

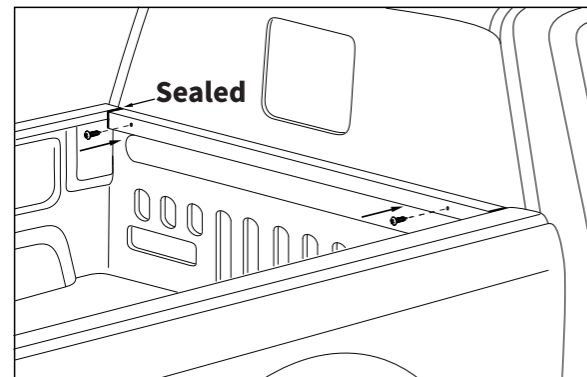
Sealing Instruction for Tacoma Trucks:



1. Remove (2) screws securing the bulkhead bar.



2. Stick the seal pads on both ends of bar.



3. Install the bulkhead bar back to truck.

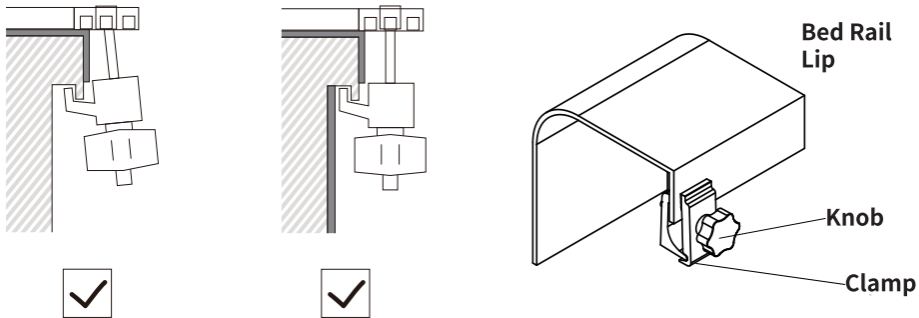
If the Utility Rails Removed:

1. Pull down the front/rear clamp to vertical position.
2. Slide the clamp close to bed rail.
3. Hook the front clamp under the metal bed rail lip and tighten the knob.
4. Hook the rear clamp under the metal bed rail lip and push the clamp handle to vertical position.
5. Secure the safety clamp onto the metal bed rail lip.

Note:

Cutting the bedliner is necessary.

The clamps may not precisely vertical.



The clamps may not precisely vertical.

