

9

Part List

①	X1	Cover Assembly
②	X6	Clamp Foam Pad
③	X1	Seal Strip
④	X1	LED Light

⚠ Warning:

1. Tonneau cover must be completely secured in the closed position or opened position while driving. DO NOT DRIVE with cover in partially opened position.
2. Clean the debris before folding the tonneau cover.
3. Professional installation would be highly recommended.
4. Period check to ensure all clamps remain secure and tight.
5. Remove the tonneau cover before towing the truck from rear.
6. Do not drive without safety clamps.



Always secure the latches



Do not overload cargo



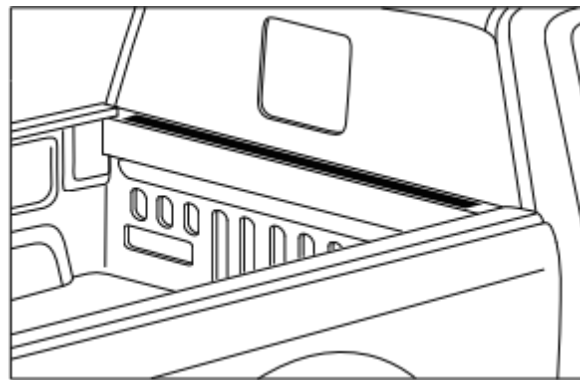
Use seal strips for exposed gap



Remove all items including snow before folding the panels

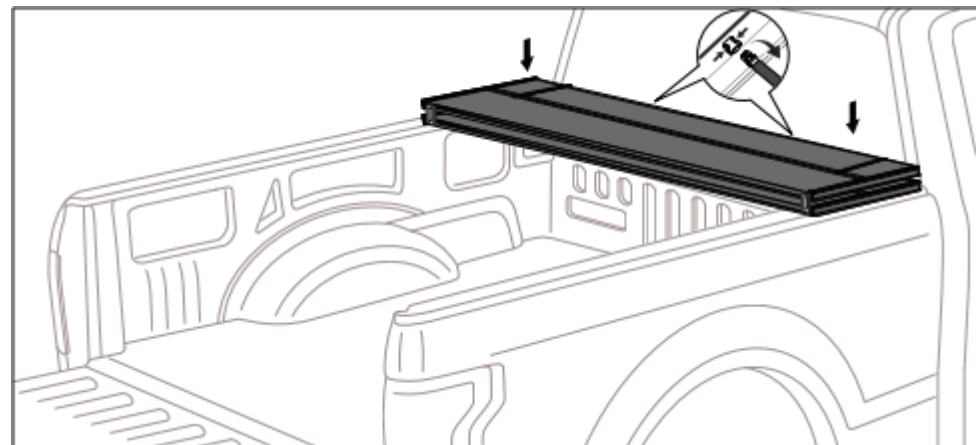
Step 1:

1. Clean the bulkhead and bedrail before installation.
2. Stick the seal strip onto the bulkhead.



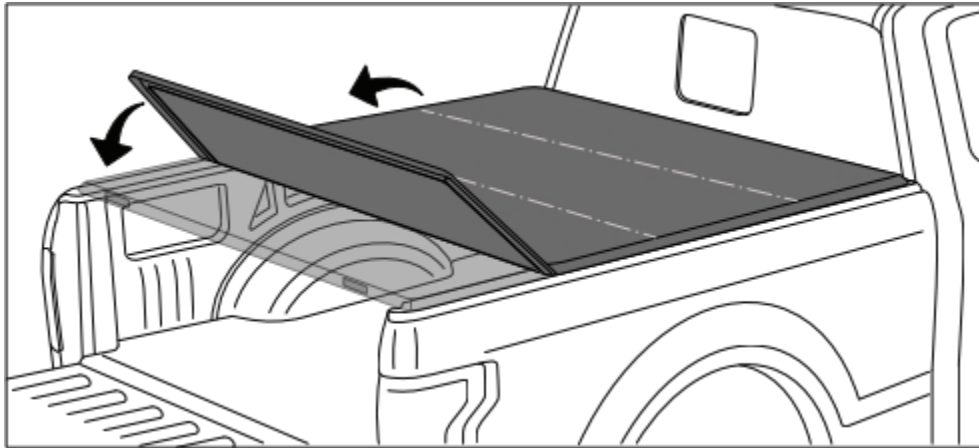
Step 2:

1. Place cover assembly on front truck bed rail against the cab.
2. Release safety buckles.



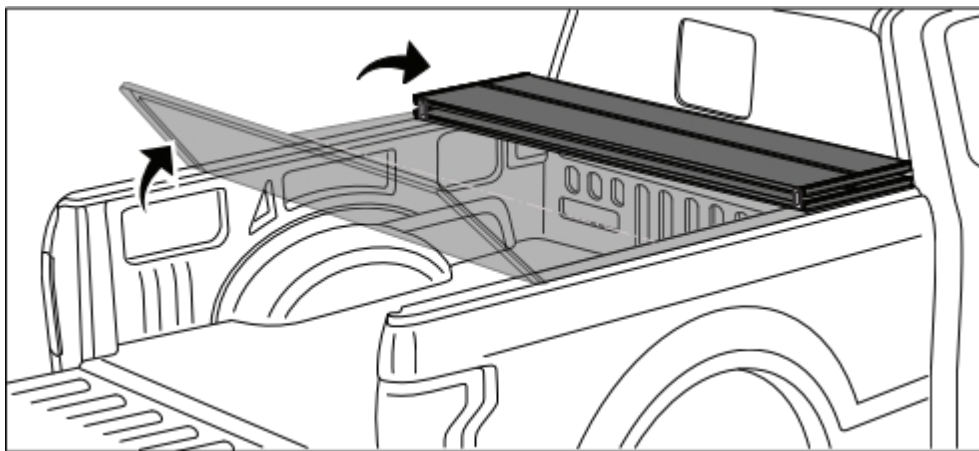
Step 3:

1. Fully unfold the cover towards rear.
2. Ensure the cover aligns on truck bed.



Step 4:

Carefully refold the cover without moving position on the truck bed.



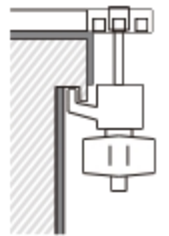
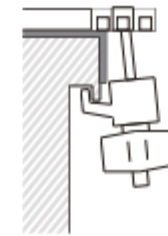
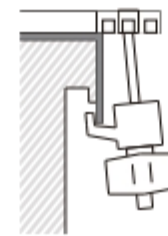
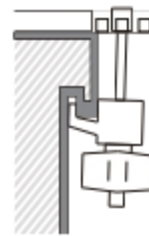
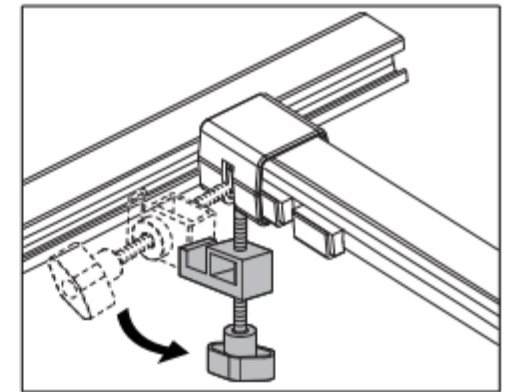
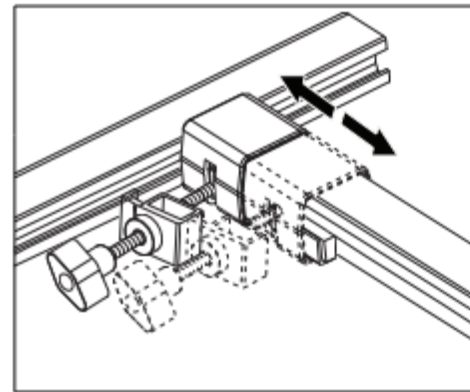
Step 5:

Secure the front clamps.

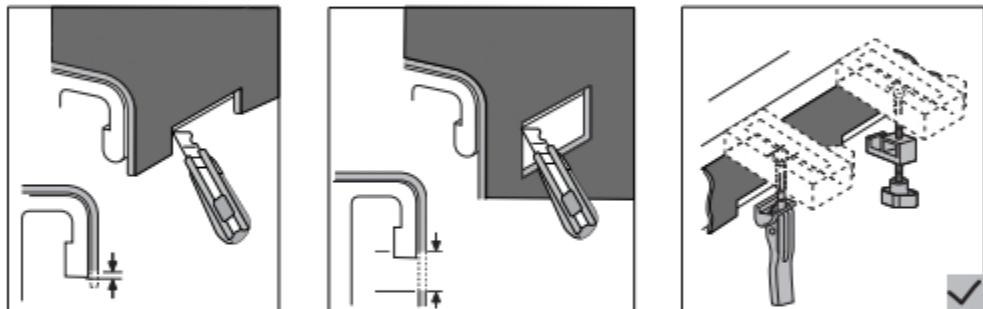
1. Slide front clamp to proper slot.
2. Pull down the front clamp to vertical position.
3. Hook the J-shaped clamp under the metal bed rail lip and tighten the knob.

Note:

Cutting the bedliner is necessary.
The clamps may not precisely vertical.

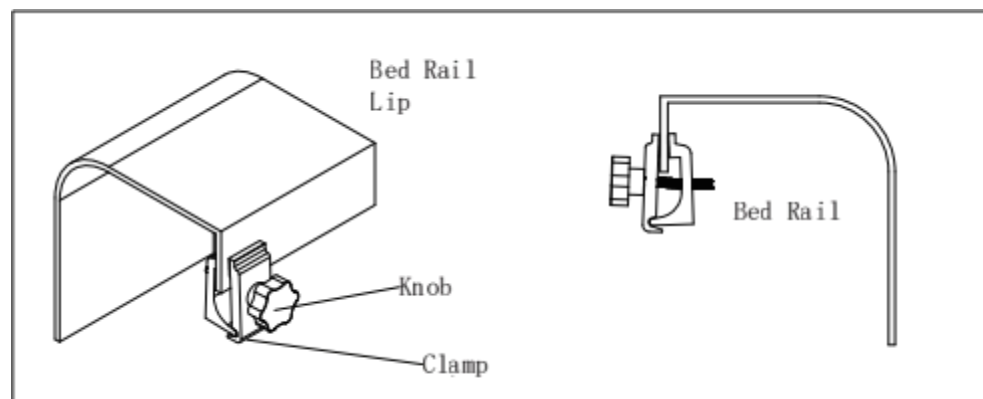


The clamps may not precisely vertical.



Step 6:

1. Loosen the safety clamp and attach to the bed rail lip on both side.
2. Hand tighten the knob clockwise. DO NOT use wrench or overtighten.
3. Adjust the strap to proper length, and pull the other end of the strap to tight.



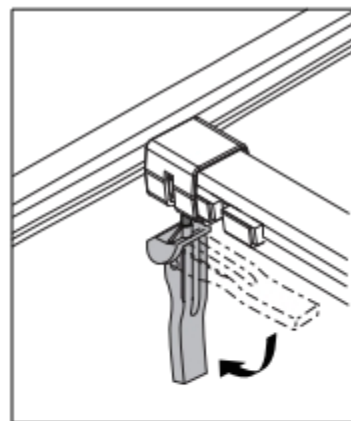
Step 7:

Carefully unfold the cover and secure the rear clamps.

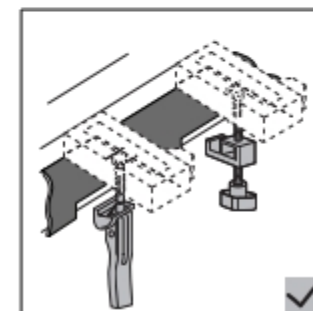
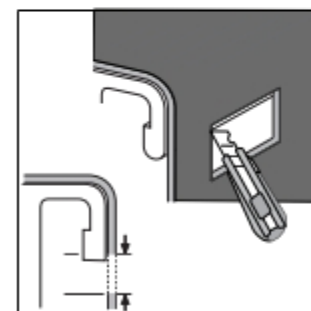
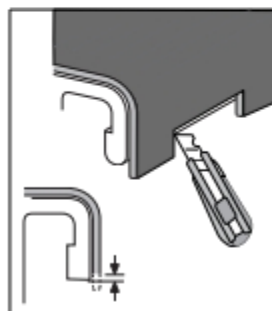
1. Slide clamp to proper slot.
2. Pull down the clamp to vertical position.
3. Stick the clamp pad to mounting position on bed rail.
4. Turn the clamp handle to adjust the clamp to proper length.
5. Hook the J-shaped clamp under the metal bed rail lip and push the clamp handle to vertical position.

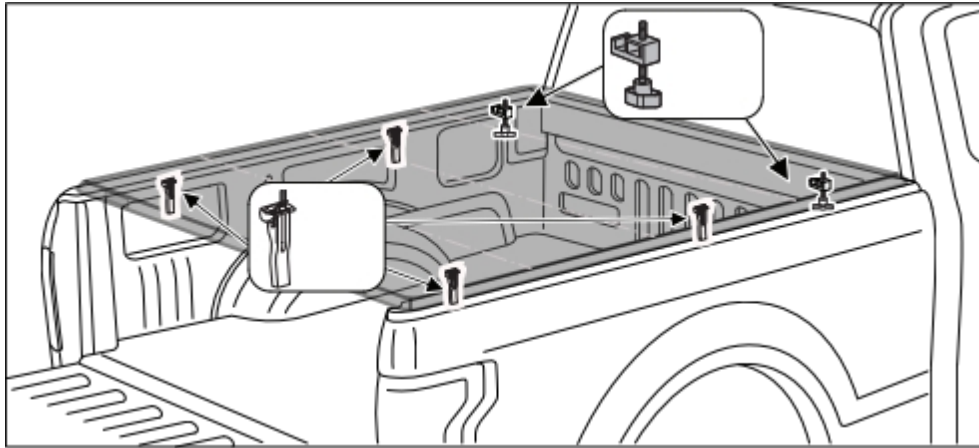
Note:

The clamps may not precisely vertical.



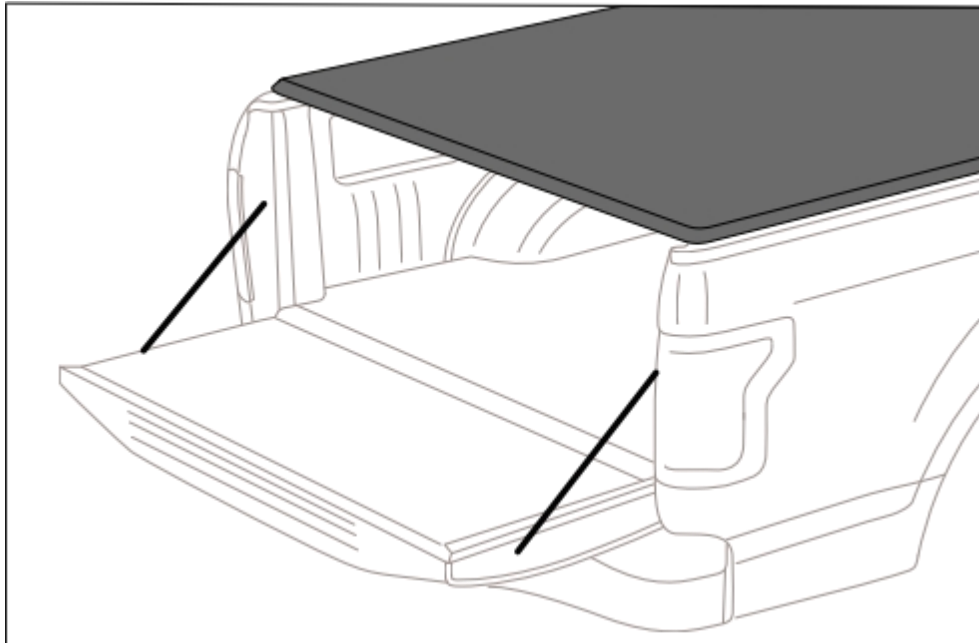
Push the spring lever when fold and unfold the clamp.





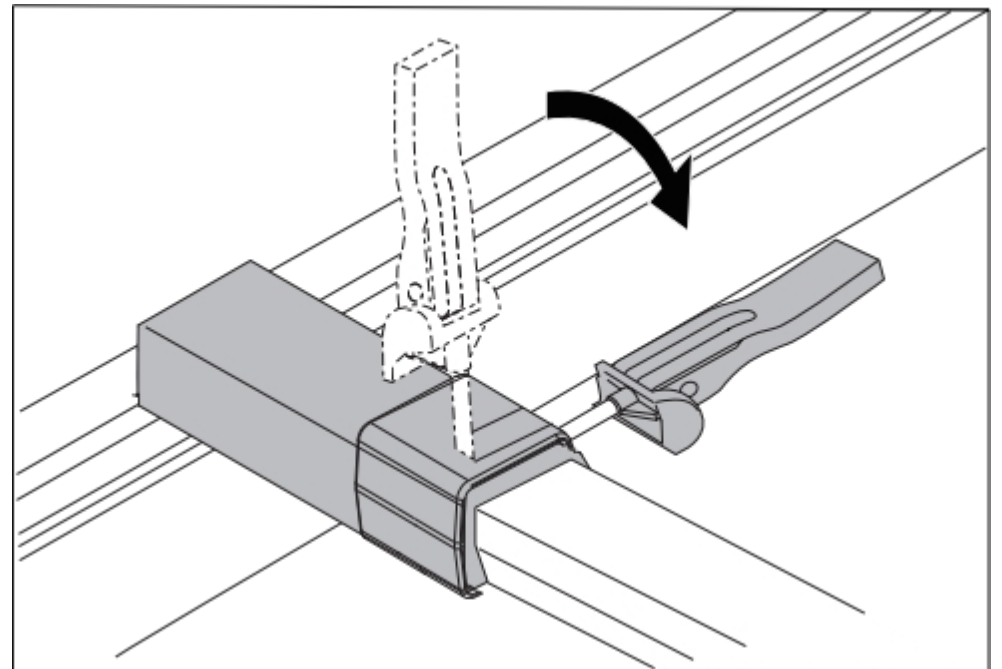
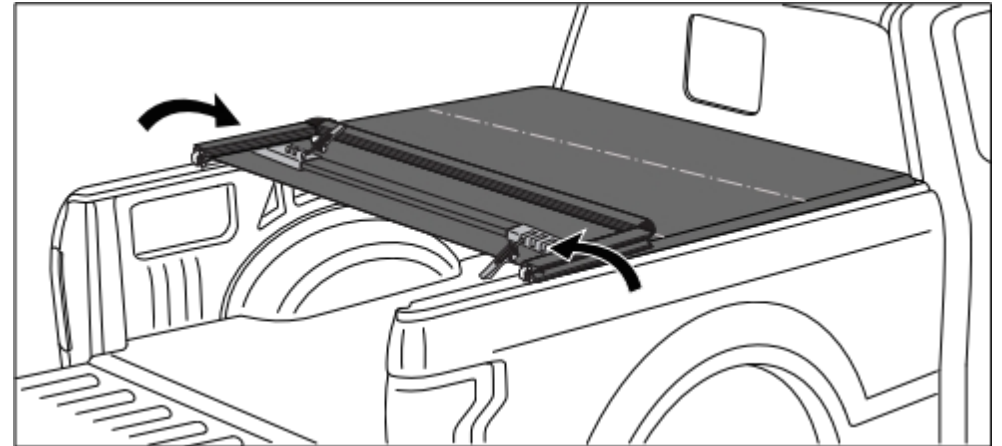
step 8:

1. close the tailgate. Installation completed.

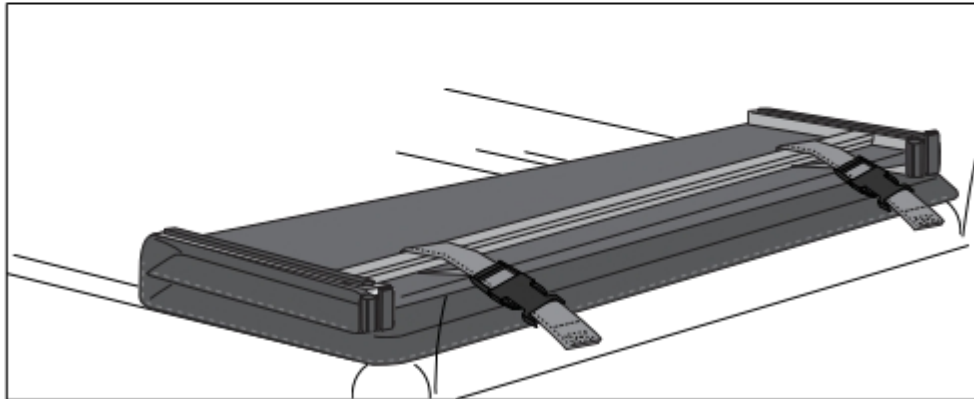
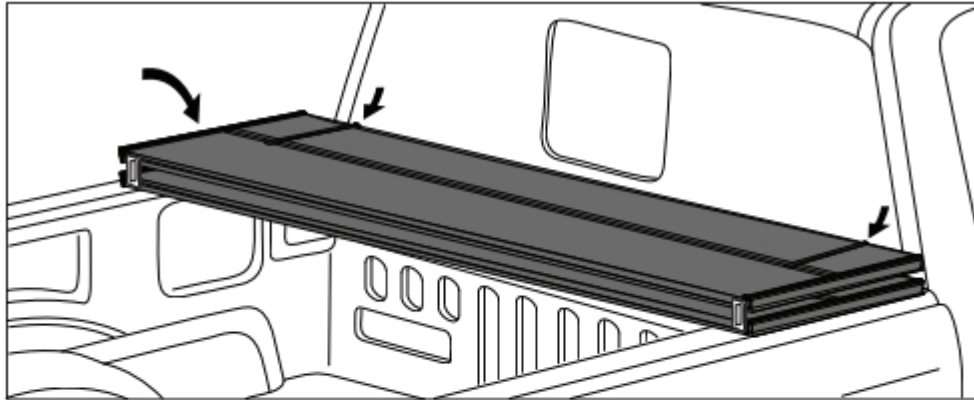


Fold up the cover:

1. open the tailgate.
2. Release and fold up the rear clamps.



3. Fold up the cover towards front.
4. Secure the safety buckles.



5. After the tonneau cover installed, periodic check to ensure all clamps and buckles remain secure and tight.

Maintain and Repair

Rear Clamp Replacement:

1. Fold up the rear clamp.
2. Remove the Philips screw.
3. Slide the clamp to the innermost slot.
4. Remove the defective rear clamp.
5. Install the new rear clamp in the reverse order of removal.

