

Tools Required

16mm, 13mm Socket
16mm Wrench
Ratchet
Torque Wrench



Notes

Read this instruction carefully before starting installation.
Proper tools will improve the quality of installation and reduce the time required.
If missing parts or any damage found, please take a picture and contact us.

Step 1:

1. Locate (3) mounting positions on each side inner rocker panel.
2. There are 4 mounting positions each side, we will use the 1st, 2nd, 4th.
3. Remove factory plugs from mounting positions.



1st



2nd

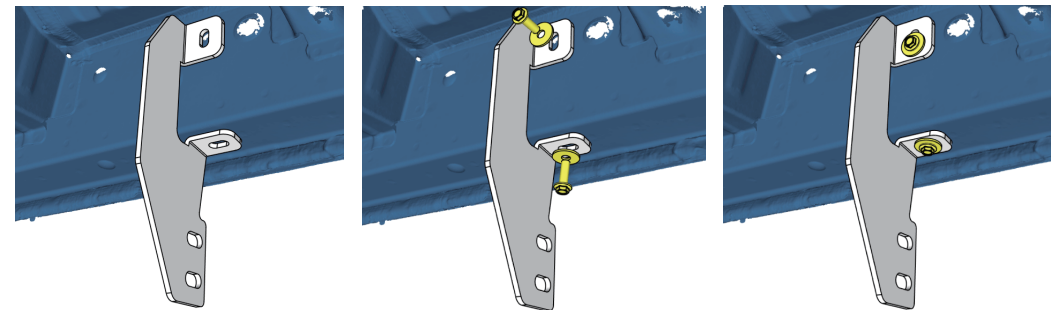


4th

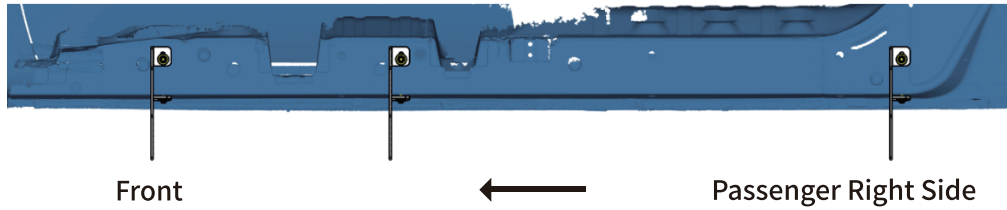
Passenger Side Inner Rocker Panel

Step 2:

1. Attach bracket to inner rocker panel.
2. Secure the bracket to inner rocker panel using (2) M8 hex bolts, (2) M8 flat washers.
3. Repeat to install other brackets. Do not fully tighten.

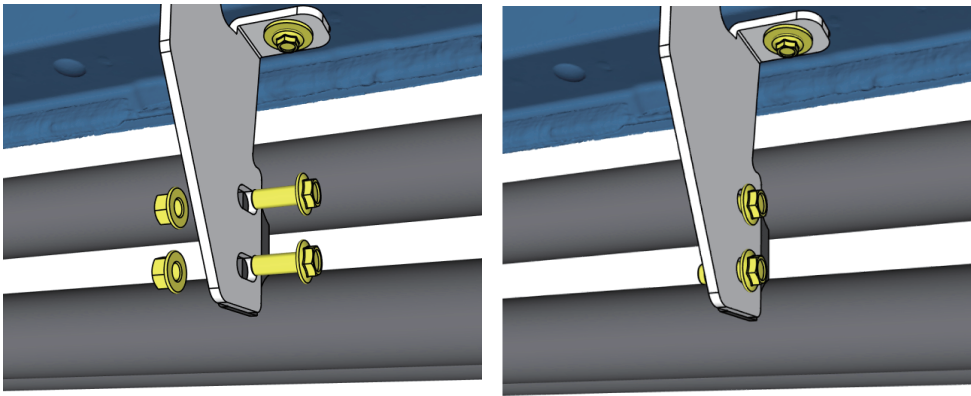


Passenger Side Center Bracket



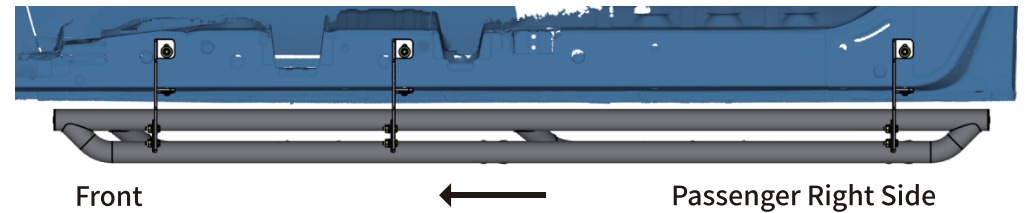
Step 3:

1. With assistance, lift and attach the step bar to brackets.
2. Secure the step bar on brackets with (6) M10 hex bolts and (6) M10 hex nuts.
3. Repeat to install the other side step bar. Do not fully tighten.



Step 4:

1. Tighten M8 hex bolts on vehicle with 15 ft. lbs. torque.
2. Adjust the step bar to level and tighten M10 hex bolts and nuts with 31 ft. lbs. torque.
3. After the step bar installed, periodic check to ensure all mounting hardware remains secure and tight.



Part List:

Label	Qty.	Description
	×3	Driver Side Bracket
	×3	Passenger Side Bracket
A	×12	M10×25 Hexagon Serrated Flange Bolt
	×12	M10 Hexagon Serrated Flange Nut
B	×12	M8×25 Hexagon Serrated Flange Bolt
	×12	M8×25 Flat Washer



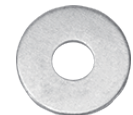
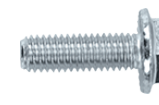
Driver Side Bracket



Passenger Side Bracket



A: To secure step bar on brackets.



B: To secure brackets on vehicle.